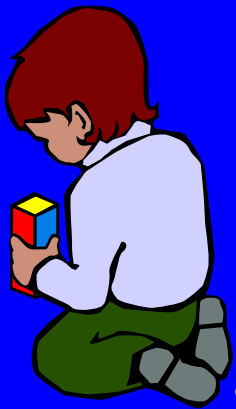


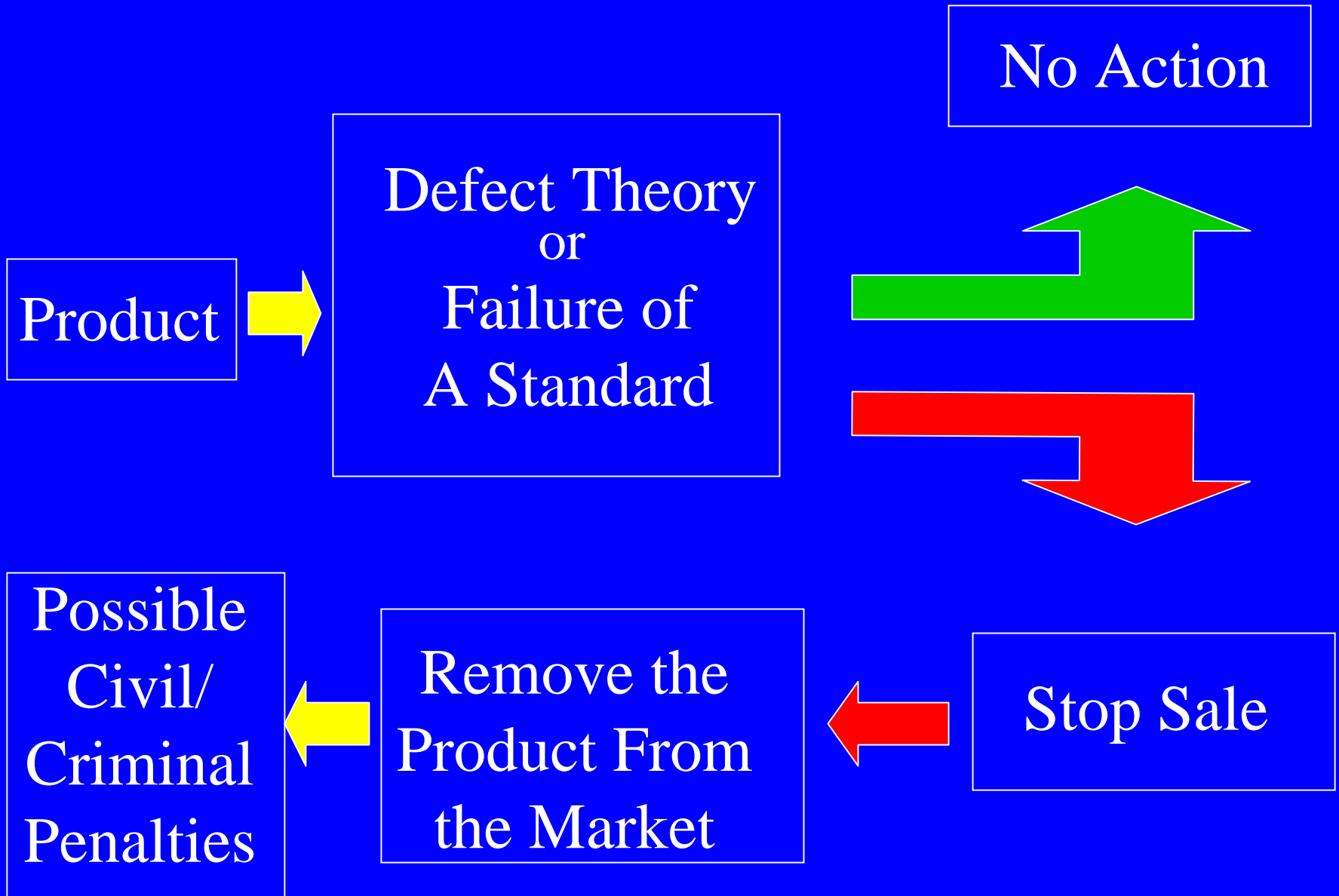
UNITED STATES CONSUMER PRODUCT SAFETY COMMISSION

Overview of U.S.C.P.S.C. Toy/Children Standards and Enforcement



“This presentation was prepared by CPSC staff, has not been reviewed or approved by and may not reflect the views of the Commission.”

WHAT WE DO



Toy Injuries and Deaths

- In 2004 there were:
 - 16 deaths and about 210,300 injuries
- In 2003 there were:
 - 11 deaths and about 206,500 injuries

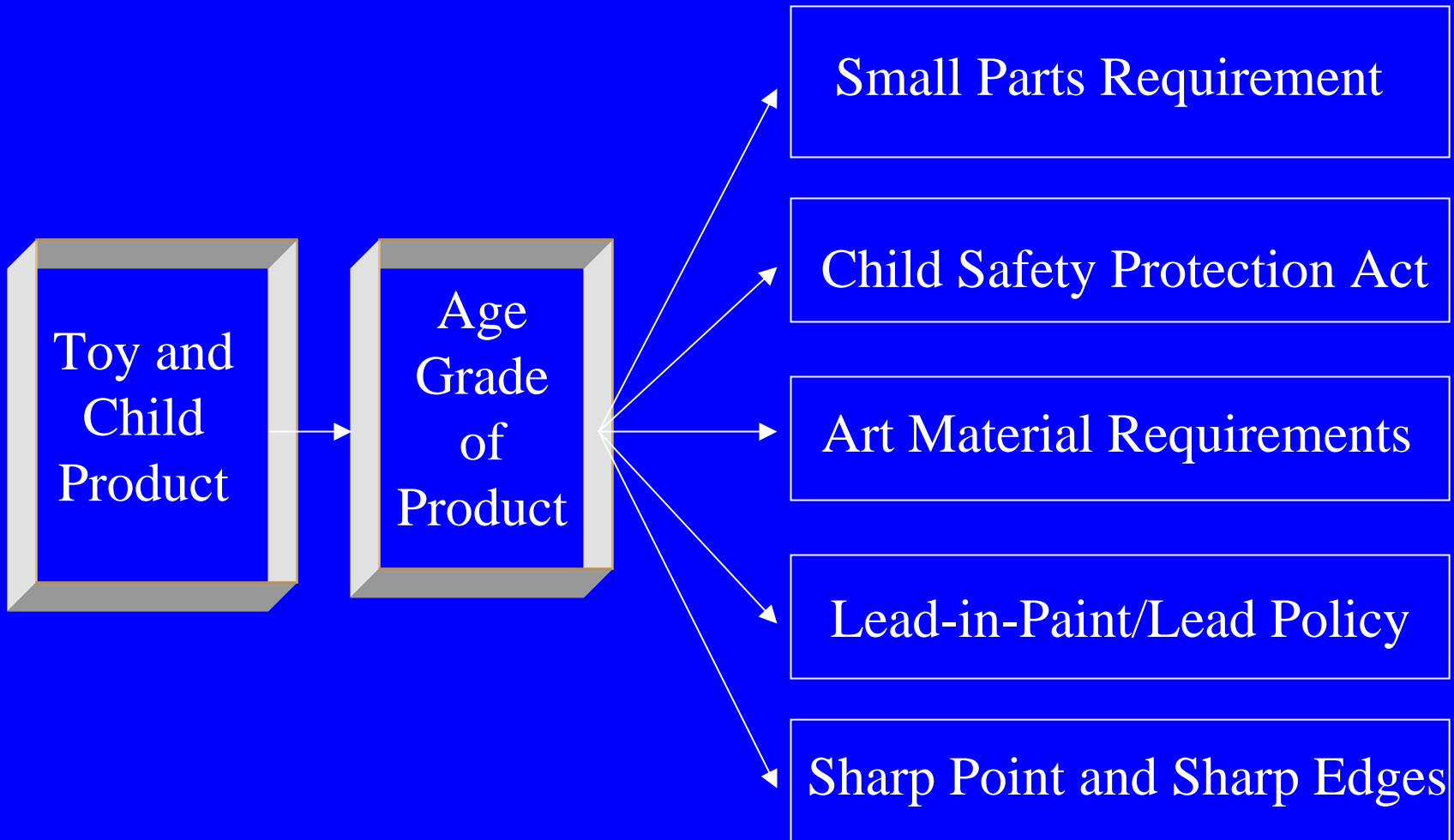
Toy Standards



US Mandatory Standards & ASTM F963

Other standards, such as:
EN71 Standard, European
&
ISO Toy Standard 8124

Regulatory Process



Age Grading of Toys

- All toys must be age graded to determine what regulations apply.
- During age grading, one is matching the attributes of the toy to the attributes of the child.
- In age grading the Commission looks at:
 - the manufacturer's stated intent, such as the labeling if it is reasonable,
 - the advertising, promotion and marketing, and
 - how the article is commonly recognized as being intended for children.

Summary of Use and Abuse Testing

AGE CATEGORY	IMPACT	FLEXURE	TORQUE	TENSION	COMPRESSION
0 – 18 Months 16 C.F.R. §1500.51	10 Drops From 4.5 Feet ± 0.5”	120 Arc 30 Cycles 10 lbs ± 0.5 lbs	2 lbf – in ± 0.2 lbf – in	10 lbs ± 0.5 lbs	20 lbs ± 0.5 lbs
19 – 36 Months 16 C.F.R. §1500.52	4 Drops From 3 Feet ± 0.5”	120 Arc 30 Cycles 15 lbs ± 0.5 lbs	3 lbf – in ± 0.2 lbf – in	15 lbs ± 0.5 lbs	25 lbs ± 0.5 lbs
37 – 96 Months 16 C.F.R. §1500.53	4 Drops From 3 Feet ± 0.5”	120 Arc 30 Cycles 15 lbs ± 0.5 lbs	4 lbf – in ± 0.2 lbf – in	15 lbs ± 0.5 lbs	30 lbs ± 0.5 lbs

Small Parts Requirement Use and Abuse Testing

Toy Age Graded
for Children Under
Three

Small Parts as
Received

BANNED

Use and Abuse Test:

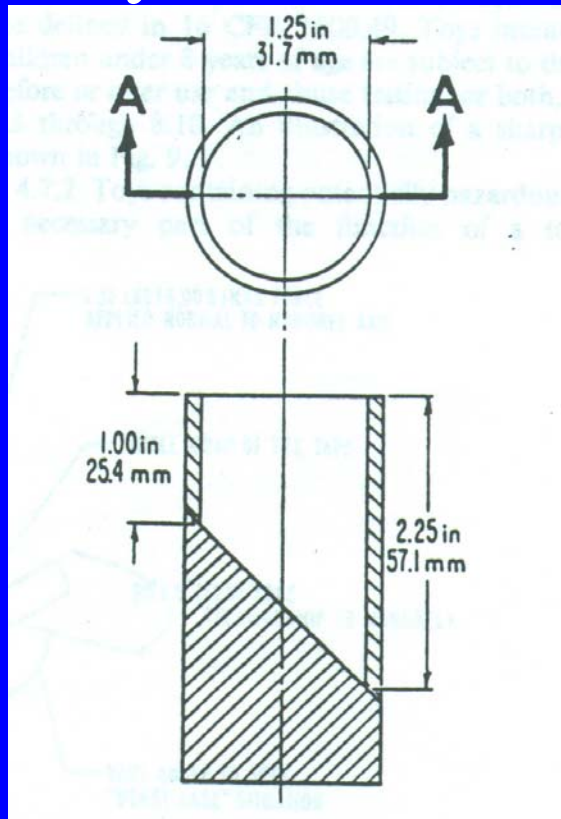
- Impact/ Tip Over
- Torque & Tension
(Seam Test)
- Compression
- Flexure

Small Parts
BANNED

No Small Parts
**NOT
BANNED**

Small Parts Test Cylinder

- Cylinder



- Failed sample



Other Templates

- Did you know there are 4 other toy/children's templates:
 - Pacifier
 - Rattles
 - Small ball, 1.75 inches
 - Supplemental template, 1.68 inches

Exempt Items Under 16 C.F.R. § 1501.3 (1 of 2)

- Balloons
- Books and other articles made of paper
- Writing materials
- Children's clothing and accessories
- Grooming, feeding, and hygiene products

Exempt Items Under 16 C.F.R. § 1501.3 (2 of 2)

- Phonograph records
- Modeling clay and similar products
- Finger-paints, watercolors, and other paint sets
- Rattles
- Pacifiers

Excluded from Small Parts 16 C.F.R. § 1501.4(b) Requirements:

- Paper
- Fabric
- Yarn
- Fuzz
- Elastic
- String

Child Safety Protection Act

- Certain toys and games containing small parts must contain cautionary labeling.
- Labeling must meet prominence and conspicuousness requirements.
- Must be exact wording.
- Must meet labeling requirements under 16 C.F.R. § 1500.19 & 16 C.F.R. § 1500.121.

Child Safety Protection Act

The cautionary labeling for a toy or game is:

 WARNING:

CHOKING HAZARD - Small parts.

Not for children under 3 yrs.

Labeling required for toys containing small parts and age graded for 3,4, and 5 yrs. of age.

Child Safety Protection Act

The cautionary labeling for balloons is:

 **WARNING:**

CHOKING HAZARD - Children under 8 yrs. can choke or suffocate on uninflated or broken balloons. Adult supervision required.

Keep uninflated balloons from children.

Discard broken balloons at once.

Child Safety Protection Act

Labeling for small balls:

 **WARNING:**

**CHOKING HAZARD-This toy is a small ball
Not for children under 3 yrs.**

Labeling for toys containing small balls:

 **WARNING:**

**CHOKING HAZARD-Toy contains a small ball
Not for children under 3 yrs.**

**Toys containing small balls age graded for 3 through 7
yrs. of age.**

Child Safety Protection Act

Labeling for marbles:



**CHOKING HAZARD-This toy is a marble
Not for children under 3 yrs.**

Labeling for toys containing marbles:



**CHOKING HAZARD-Toy contains a marble
Not for children under 3 yrs.**

Games containing marbles age graded 3 through 7 yrs. of age.

Child Safety Protection Act

- Small balls intended for children under three are banned. A small ball is defined as a ball with a diameter less than 44.4 mm (1.75”).
- Small balls intended for children three years and above must be labeled.